



Instruction Sheet

ZVC406-EXP Zone Valve Control

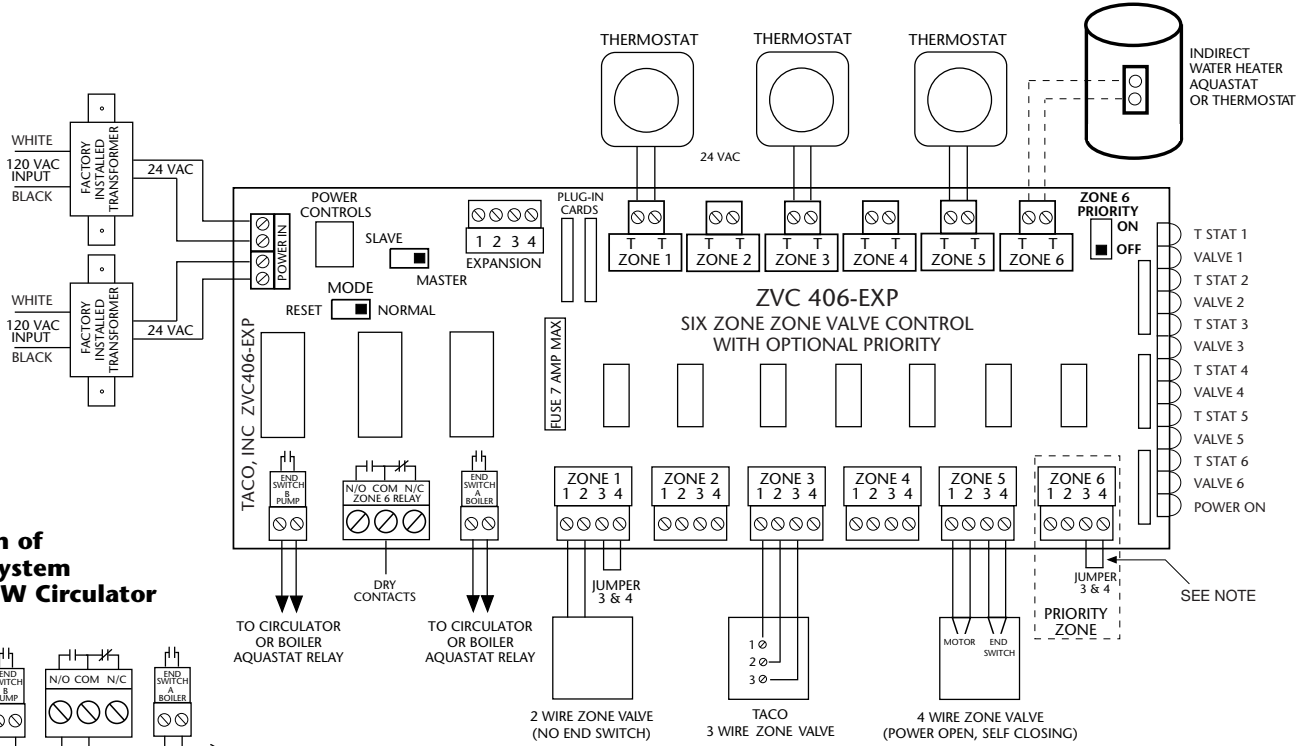
102-108

SUPERSEDES: 102-108 October 23, 2000

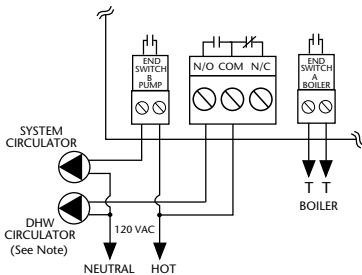
EFFECTIVE: March 1, 2006

Plant ID# 9300-1047

Wiring Diagram



Installation of Optional System and/or DHW Circulator



Operation/External Diagnostics: When any thermostat calls for heat, the appropriate zone valve is energized and the yellow light goes on. When the zone valve is fully open, the red light goes on and energizes the end switch relays. The green light should always be on, indicating that power is connected.

Priority Operation: When zone 6 is switched to the priority setting and is actuated, all other zones will stop operation until zone 6 is satisfied. When zone 6 is not switched to priority, all zones will operate independently. **Note:** When a circulator is used on the priority zone instead of a zone valve, jumper 3 and 4 of the priority zone.

Mode Operation: When the mode switch is set to NORMAL, both end switch relays will be energized if any zone is in operation. When the mode switch is set to RESET, the end switch relay "A" will only be energized when the priority zone is in operation. The end switch relay "B" will be energized when any zone is in operation.

Power Input: Connect 120 volt ac power input to leads on transformer. Neutral to white wire. Hot to black wire.

Expansion Connections: Set the expansion switch to MASTER on the zone valve control that has the designated priority zone or is utilizing the PowerPort options. Set all other daisy chained controls to SLAVE. Connect thermostat wire (18-22 gauge) between terminals 1, 2, 3, 4 on the master control to the corresponding 1, 2, 3, 4 on the SLAVE control(s). Controls may be daisy chained up to 20 zones using any combination of Switching Relay -EXP or Zone Valve -EXP controls.

The Taco Connection: Combine the reliability of the Taco Zone Valves, Priority Zoning Circulators, Thermostats, and the "00" family of circulators with the advanced features of the Taco Zone Controls to achieve total system integration. No matter the application, Taco now provides the products to maximize system performance while simplifying both installation and service.

Specifications:

PRODUCT NUMBER	NUMBER OF ZONES	TRANSFORMER VOLTAGE	MAX OUTPUT AT 24 VAC	DIMENSIONS OF ENCLOSURE WIDTH	HEIGHT	DEPTH
ZVC406-EXP	6 with Priority	120 VAC Input	80 VA	11 3/4"	7 1/2"	3"

All Zone Valve Controls are relay type DPDT and have a single phase motor rating per zone of 1/8 hp (5A) @ 120 VAC.

Features:

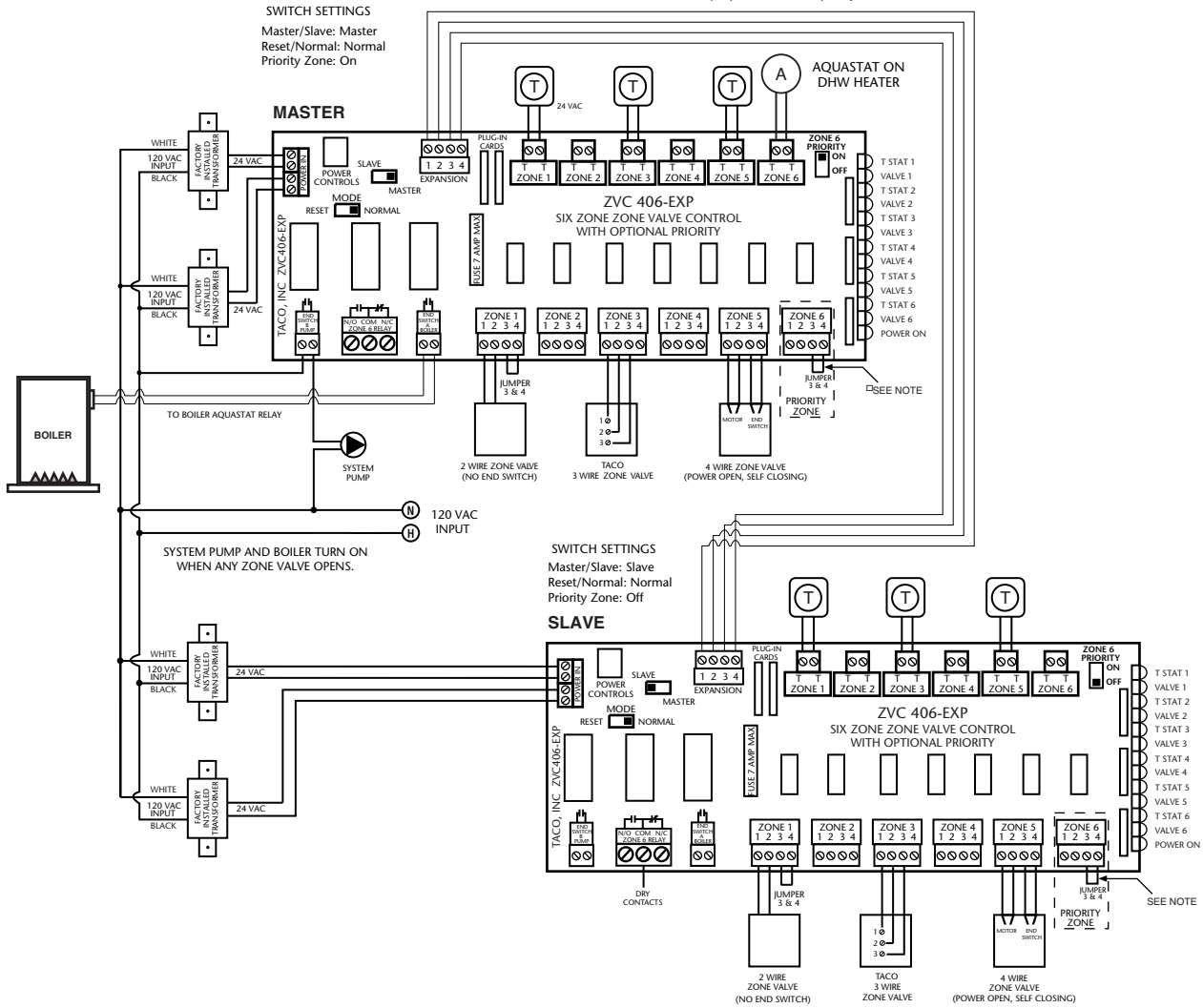
- External Indicator Lights
- Plug-In PowerPort Cards
- Switchable Priority
- Simplified Wiring
- Add-On Power Controls
- Works with 2, 3, or 4-Wire Zone Valves
- Compact Design
- Fuse Protected
- 100% Factory Tested

- Isolated End Switch
- Expandable to 20 Zones
- Extra Set of Dry Contacts
- Contractor Friendly PC Board Layout
- Universal Thermostat Compatibility
- Sturdy Screw Connections
- Extended 3 Year Warranty
- Made in the USA

Warning: Wiring connections must be made in accordance with all applicable electrical codes. Use copper wire only with a minimum temperature rating of 60/75°C. Failure to follow this instruction can result in personal injury or death and/or property damage. 12-18 gauge wire recommended for 120 VAC connections, 14-22 gauge wire for thermostat connections, and 14-22 gauge wire for 24 VAC source connections.

2 EXP Zone Valve Controls Connected Together with System Pump

Note: When a circulator is used on the priority zone instead of a zone valve, jumper 3 and 4 of the priority zone.



LIMITED WARRANTY STATEMENT

Taco, Inc. will repair or replace without charge (at the company's option) any product or part which is proven defective under normal use within three (3) years from the date of start-up or three (3) years and six (6) months from date of shipment (whichever occurs first).

In order to obtain service under this warranty, it is the responsibility of the purchaser to promptly notify the local Taco stocking distributor or Taco in writing and promptly deliver the subject product or part, delivery prepaid, to the stocking distributor. For assistance on warranty returns, the purchaser may either contact the local Taco stocking distributor or Taco. If the subject product or part contains no defect as covered in this warranty, the purchaser will be billed for parts and labor charges in effect at time of factory examination and repair.

Any Taco product or part not installed or operated in conformity with Taco instructions or which

has been subject to misuse, misapplication, the addition of petroleum-based fluids or certain chemical additives to the systems, or other abuse, will not be covered by this warranty.

If in doubt as to whether a particular substance is suitable for use with a Taco product or part, or for any application restrictions, consult the applicable Taco instruction sheets or contact Taco at [401-942-8000].

Taco reserves the right to provide replacement products and parts which are substantially similar in design and functionally equivalent to the defective product or part. Taco reserves the right to make changes in details of design, construction, or arrangement of materials of its products without notification.

TACO OFFERS THIS WARRANTY IN LIEU OF ALL OTHER EXPRESS WARRANTIES. ANY WARRANTY IMPLIED BY LAW INCLUDING WARRANTIES OF MERCHANTABILITY OR FIT-

NESS IS IN EFFECT ONLY FOR THE DURATION OF THE EXPRESS WARRANTY SET FORTH IN THE FIRST PARAGRAPH ABOVE.

THE ABOVE WARRANTIES ARE IN LIEU OF ALL OTHER WARRANTIES, EXPRESS OR STATUTORY, OR ANY OTHER WARRANTY OBLIGATION ON THE PART OF TACO.

TACO WILL NOT BE LIABLE FOR ANY SPECIAL, INCIDENTAL, INDIRECT OR CONSEQUENTIAL DAMAGES RESULTING FROM THE USE OF ITS PRODUCTS OR ANY INCIDENTAL COSTS OF REMOVING OR REPLACING DEFECTIVE PRODUCTS.

This warranty gives the purchaser specific rights, and the purchaser may have other rights which vary from state to state. Some states do not allow limitations on how long an implied warranty lasts or on the exclusion of incidental or consequential damages, so these limitations or exclusions may not apply to you.

Do it ONCE. Do it RIGHT.®

TACO, INC., 1160 Cranston Street, Cranston, RI 02920 Telephone: (401) 942-8000 FAX: (401) 942-2360.

TACO (Canada), Ltd., 6180 Ordan Drive, Mississauga, Ontario L5T 2B3. Telephone: 905/564-9422. FAX: 905/564-9436.

Visit our web site at: <http://www.taco-hvac.com>

Printed in USA

Copyright 2006

TACO, Inc.