



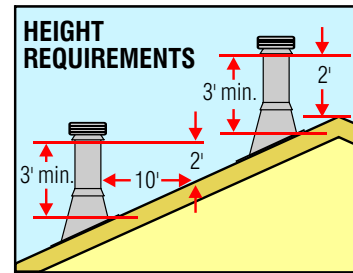
Your Complete Wood Stove Venting Solution

Step 2

Determine the number of Chimney Lengths required. Chimney Lengths are available in 36", 24", 18", 12" and 6" lengths.

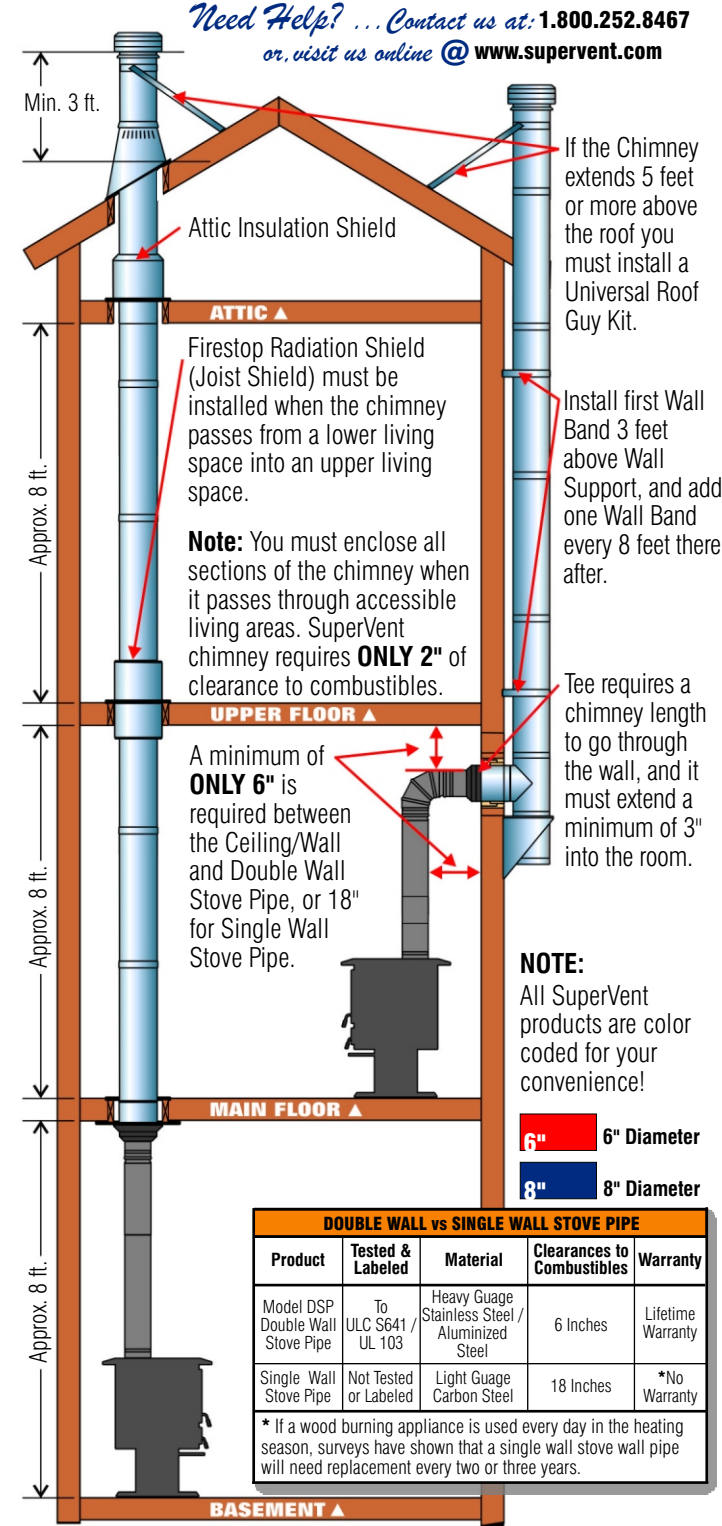
The chimney must extend at least 3' above the highest point where it passes through the roof surface and at least 2' higher than any part of the building within a horizontal distance of 10'.

NOTE: When calculating the installed length of your chimney subtract 1-1/8" for each joint & include the Height Requirements as shown in this illustration. ➔



Helpful Installation Tips

Need Help? ... Contact us at: 1.800.252.8467 or visit us online @ www.supervent.com



Step 3

Choose the proper Roof Flashing required for your installation.

To determine which Roof Flashing you require, work out the pitch of your roof.

6" Chimney Diameter:

0/12 - 6/12 Roof Pitch = 637-1539 - (Low Slope)
6/12 - 12/12 Roof Pitch = 637-1665 - (Steep Slope)

8" Chimney Diameter:

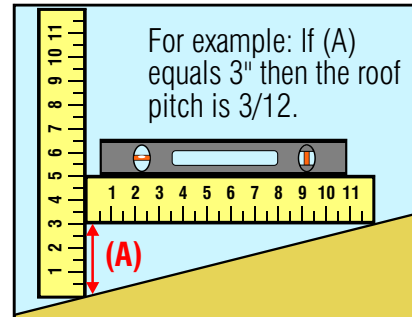
0/12 - 6/12 Roof Pitch = 637-1704 - (Low Slope)
6/12 - 12/12 Roof Pitch = 637-1830 - (Steep Slope)

NOTE: for Metal Roofs use:

Universal Rubber Boot Flashing Kit = 200275

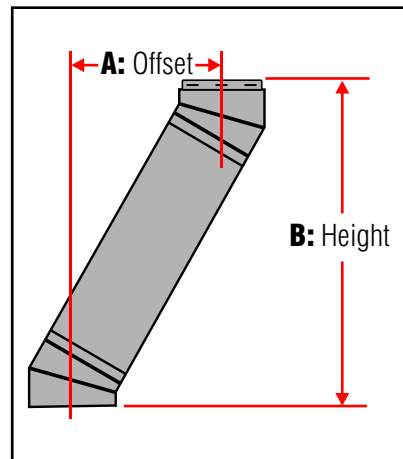
ROOF FLASHING SELECTION CHART

To calculate your roof pitch use one of the 12 inch rulers to measure the number of inches (A) from the end of the other ruler down to the roof.



Step 4 Offset Calculation for Ceiling Support Installations Only

If an offset is required to avoid rafters or other obstructions, measure the horizontal distance required and the vertical height available, refer to the Chimney Offset Chart to determine the Elbows and Chimney Length required.

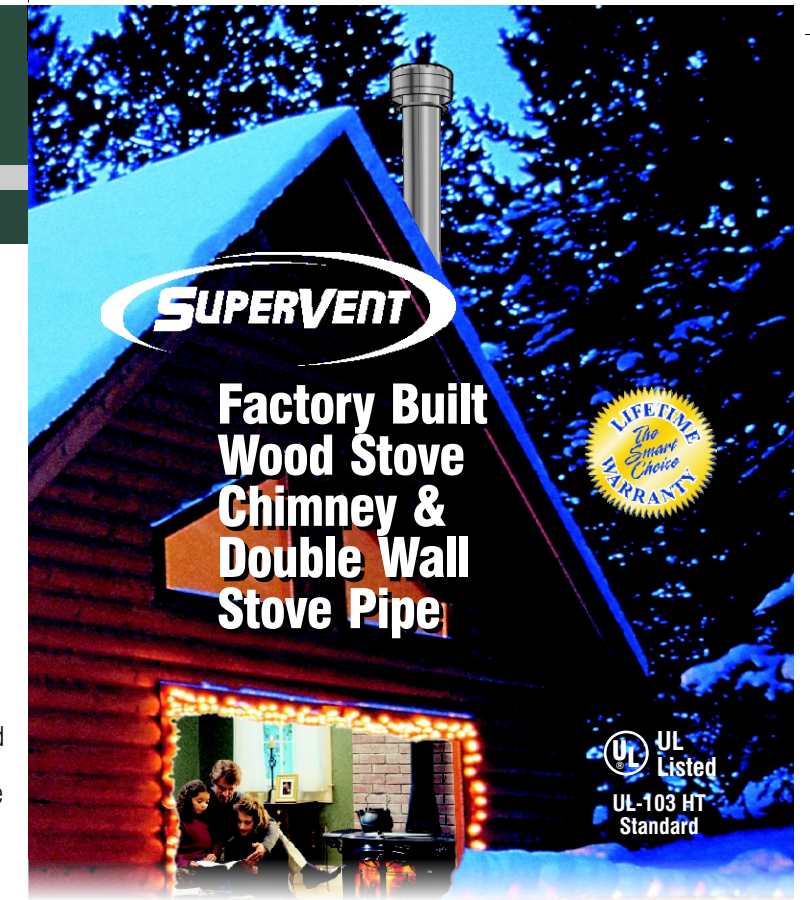


CHIMNEY OFFSET CHART

Elbow	Chimney Lengths	6" Diameter		8" Diameter	
		A	B	A	B
2x15°	no chimney length	1-1/8"	10"	1-1/4"	10-3/8"
2x15°	6" chimney length	2-3/8"	14-1/4"	2-1/2"	15-5/8"
2x15°	12" chimney length	4"	20-1/2"	4-1/8"	21"
2x15°	24" chimney length	7"	32"	7-1/8"	32-1/2"
2x15°	36" chimney length	10-1/4"	43-5/8"	10-1/4"	44-1/8"
2x30°	no chimney length	2-3/4"	11-5/8"	3-1/2"	14-1/2"
2x30°	6" chimney length	5-1/4"	15-7/8"	6"	18-3/8"
2x30°	12" chimney length	8-1/4"	21"	9"	24"
2x30°	24" chimney length	14-1/4"	31-3/8"	15"	32-3/8"
2x30°	36" chimney length	20-1/4"	41-7/8"	21"	44-3/4"

Step 5

The final step required to complete your Wood Stove Venting solution is to determine the Model DSP Double Wall Stove Pipe parts that will be needed to complete your installation. (Refer to Installation Diagrams (Step 1) and complete your Installation Planning Work Sheet)



Getting Started

Before you begin, determine the (inner) diameter of your Chimney.

This is usually the same size (6" or 8") as the flue collar on your wood stove.



Reduce, Reuse, Recycle
Our literature is printed on recyclable paper

R&B # 3802-01-09(CR) Menards

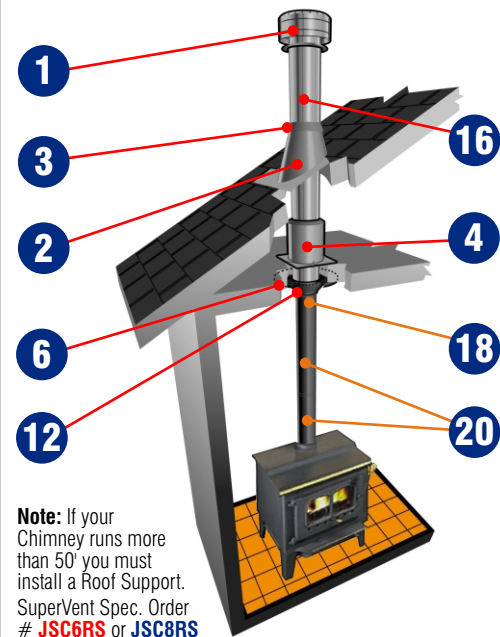


Complete Wood Stove Chimney & Double Wall Stove Pipe



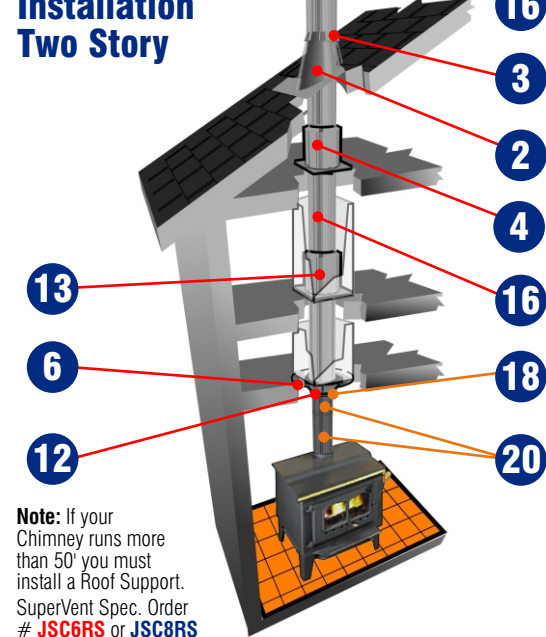
Step 1 Select type of installation by determining where your chimney will run. (Installations may vary, please refer to the installation instructions @ www.supervent.com)

Decorator Ceiling Support Installation



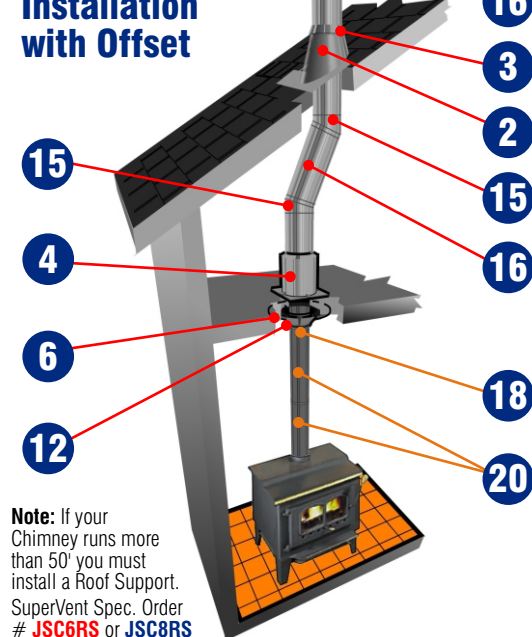
Note: If your Chimney runs more than 50' you must install a Roof Support. SuperVent Spec. Order # **JSC6RS** or **JSC8RS**

Decorator Ceiling Support Installation Two Story



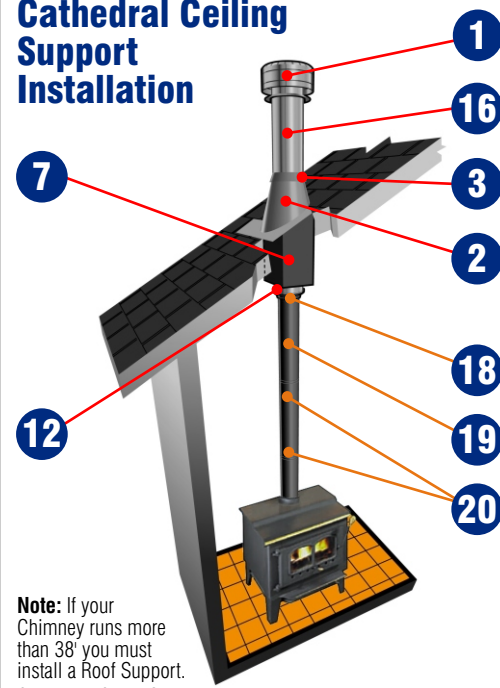
Note: If your Chimney runs more than 50' you must install a Roof Support. SuperVent Spec. Order # **JSC6RS** or **JSC8RS**

Decorator Ceiling Support Installation with Offset



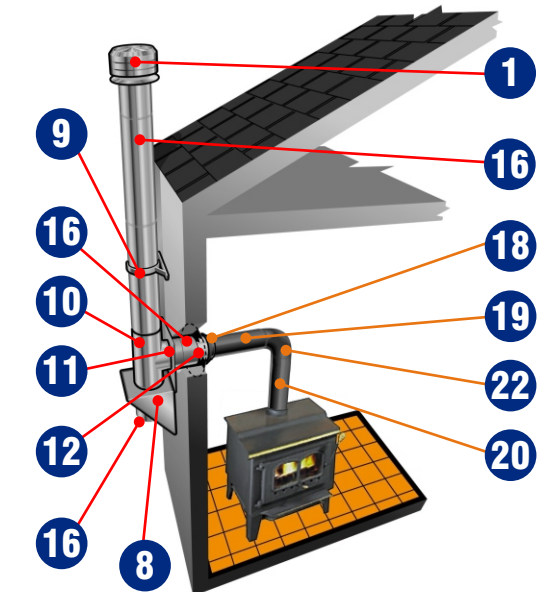
Note: If your Chimney runs more than 50' you must install a Roof Support. SuperVent Spec. Order # **JSC6RS** or **JSC8RS**

Cathedral Ceiling Support Installation



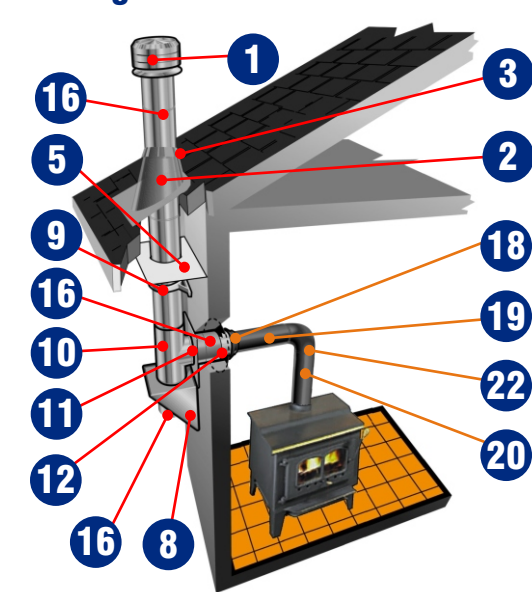
Note: If your Chimney runs more than 38' you must install a Roof Support. SuperVent Spec. Order # **JSC6RS** or **JSC8RS**

Wall Support Installation



Note: If your Chimney runs more than 38' you must install an Intermediate Wall Support. SuperVent Spec. Order # **JSC6AIWS** or **JSC8AIWS**

Wall Support Installation Through a Soffit



Note: If your Chimney runs more than 38' you must install an Intermediate Wall Support. SuperVent Spec. Order # **JSC6AIWS** or **JSC8AIWS**

Installation Planning Work Sheet

SUPERVENT CHIMNEY		6"	8"	PRICE	QTY	TOTAL
1	Deluxe Rain Cap	637-1445	637-1458	\$	X	=
2	Roof Flashing (See Step 3)					
	Adjustable 0/12 to 6/12	637-1539	637-1704	\$	X	=
	Adjustable 6/12 to 12/12	637-1665	637-1830	\$	X	=
not illustrated	Universal Rubber Boot Flashing Kit	200275	200275	\$	X	=
3	Storm Collar	637-1636	637-1801	\$	X	=
4	Attic Insulation Shield	637-1652	637-1827	\$	X	=
5	Finishing Plate	637-1555	637-1720	\$	X	=
6	Decorator Ceiling Support	637-1597	637-1762	\$	X	=
7	Cathedral Ceiling Support	637-1623	637-1791	\$	X	=
8	Adjustable Wall Support	637-1607	637-1775	\$	X	=
9	Wall Bands (see Helpful Installation Tips)	637-1542	637-1717	\$	X	=
10	Insulated Tee & Plug	637-1571	637-1746	\$	X	=
11	Black Wall Thimble	637-1610	637-1788	\$	X	=
12	Stove Pipe Adapter	637-1461	637-1474	\$		=
13	Firestop Radiation Shield (2 story install)	JSC6FRS	JSC8FRS	\$	X	=
14	If Chimney extends 5' or more above Roof Line					
	Adjustable Universal Roof Guy Kit	637-1490	637-1490	\$	X	=
15	If Offset is Required add one (See Step 4)					
	15° Elbow Kit (kits contain 2 elbows)	637-1649	637-1814	\$	X	=
	30° Elbow Kit (spec. order)	JSC6SE3K	JSC8SE3K	\$	X	=
16	Chimney Lengths (See Step 2)					
	36" Length	637-1500	637-1678	\$	X	=
	24" Length	637-1513	637-1681	\$	X	=
	12" Length	637-1526	637-1694	\$	X	=
17	Recommended for every pipe length					
	Locking Band	637-1568	637-1733	\$	X	=
not illustrated	Universal Shielding Insulation (for use with parts 4, 7 or 11)	JUSI	JUSI	\$	X	=
MODEL DSP DOUBLE WALL STOVE PIPE (8" DSP Parts are Special Order)						
18	Universal Chimney Adapter	637-2059	DSP8CA	\$	X	=
19	Adjustable Length installs from 12" to 18"	637-2017	DSP8AL-1	\$	X	=
20	24" Fixed Length	637-2004	DSP8P24-1	\$	X	=
21	45° Elbow (not illustrated)	637-2033	DSP8E4-1	\$	X	=
22	90° Elbow	637-2020	DSP8E9-1	\$	X	=
23	Tee Section (not illustrated)	637-2062	DSP8TE-1	\$	X	=
24	Damper Kit (not illustrated)	637-2075	DSP8DK-1	\$	X	=
25	Stove Adapter (not illustrated)	637-2046	DSP8SA-1	\$	X	=

NOTE: All SuperVent products are color coded for your convenience! **6" Diameter** **8" Diameter** **TOTAL \$**



UL 103-HT



MODEL JSC INSULATED STAINLESS STEEL CHIMNEY

FUEL



GAS



WOOD

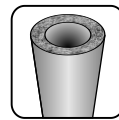


OIL

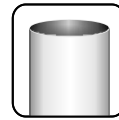


COAL

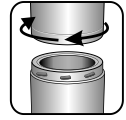
PRODUCT FEATURES



SOLID PACK
INSULATED



STAINLESS STEEL
(MIRROR FINISH)



EMBOSSED COUPLER
TWIST-LOCK
CONNECTION



SuperVent Model JSC Technical Data Sheet

CERTIFICATION & APPLICATIONS:

SuperVent Model JSC is Safety Tested and Listed to applicable UL/ULC Standards.

These include:

USA: UL 103-HT

Safety Standard for chimneys serving solid fuel and liquid fuel applications. This chimney system has been designed for use on wood stoves, fireplaces and residential furnaces in the U.S. market. Allowable Flue Gas Temperatures are:

Maximum Continuous	1,000 degrees F / 540 degrees C
Brief Forced Firing	1,400 degrees F / 760 degrees C (60 minutes)
Creosote Burn Out	2,100 degrees F / 1,150 degrees C (3 x 10 minutes)

CLEARANCE TO COMBUSTIBLE MATERIALS:

A 2" clearance to combustible materials must be maintained at all times, except in areas protected by factory supplied supports certified for reduced clearance.

CONSTRUCTION:

Inner Liner (Flue): •Upgraded Stainless Steel. •0.016" thickness

Outer Casing: •Upgraded Stainless Steel •0.015" thickness
Note: All SuperVent Twist-Lock Couplers are embossed (not lanced) and seams are weather-proofed to prevent moisture from entering the chimney.

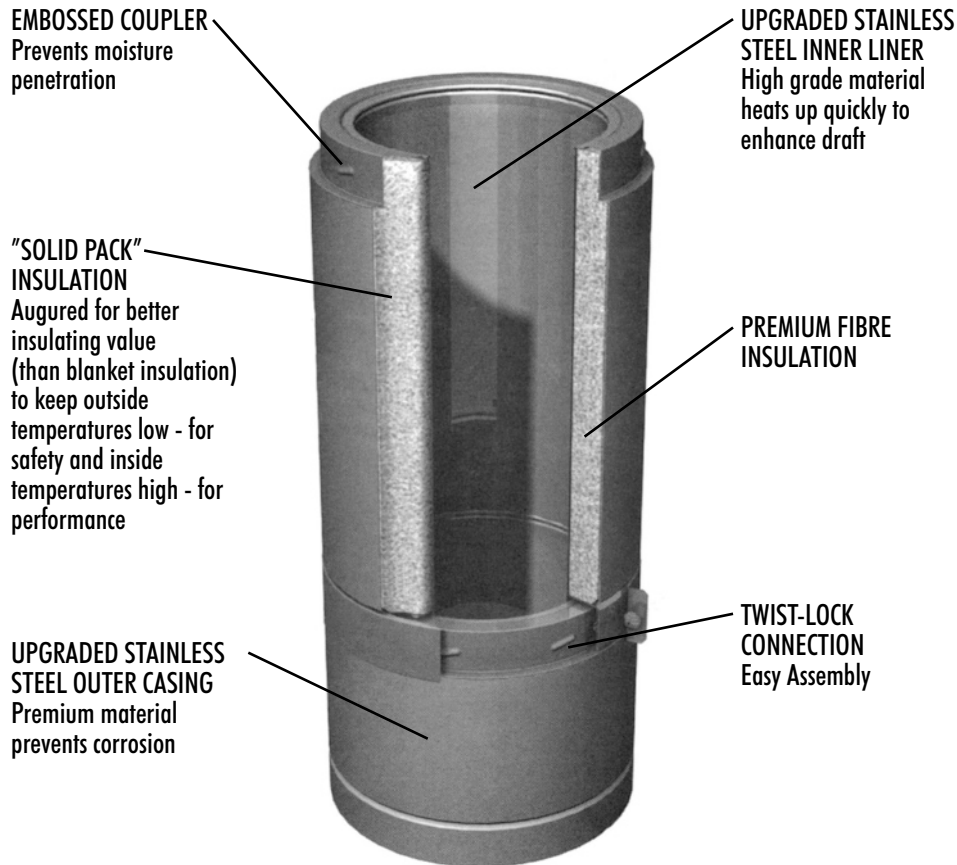
Insulation:

The 1" space between inner/outer walls is Solid Packed with Mineral Wool Fibre insulation to provide superior insulating qualities, in a "slim-line" design. Solid Pack design performs favorably to Blanket type and Air-Cooled chimney designs.

SUPPORTS/FRAMING

All SuperVent Supports are designed to carry four times the combined weight of each system at maximum allowable height.

Support and Framing Dimensions Table				
	Ceiling Support	Wall Support	Cath. Ceiling Support	Roof Support
Support	50'	38'	38'	50'
Diameter	Framing Dimensions			
5" Dia.	12-3/8" x 12-3/8"	14-3/8" x 14-3/8"	11" x 11"	N/A
6" Dia.	12-3/8" x 12-3/8"	14-3/8" x 14-3/8"	12" x 12"	N/A
7" Dia.	13-3/8" x 13-3/8"	14-3/8" x 14-3/8"	13" x 13"	N/A
8" Dia.	14-3/8" x 14-3/8"	14-3/8" x 14-3/8"	14" x 14"	N/A



The Best Warranty in the Industry

SuperVent features an advanced engineering design and premium quality material which allow us to offer a Lifetime Warranty on all component parts. See written warranty for details.