

## LIMITED WARRANTY

Subject to the conditions and exceptions stated in this warranty Cen-Tec Systems warrants the products sold by Cen-Tec Systems to be free from defects in materials and workmanship under normal residential use and service for two (2) years from the date of delivery on presentation of the original contract or invoice. A copy of the original bill of sale must accompany all warranty requests. If one is not produced as required the manufactures date code will be used.

## CONTACT INFORMATION



1807 Morrissey Drive  
Bloomington, Illinois 61704

PHONE: (309) 664-0328  
TOLL FREE: (800) 833-2822  
FAX: (309) 663-8766

EMAIL: [help@centecsystems.com](mailto:help@centecsystems.com)  
WEBSITE: [www.centecsystems.com](http://www.centecsystems.com)  
[www.centeccommercial.com](http://www.centeccommercial.com)



CT23QD Electric Brush Manual

## Safety instructions



# WARNING

Electric shock could occur if used out doors or on wet surfaces.

Please read all instructions before using this Electric Powerhead.

Save these instructions. INTENDED FOR HOUSEHOLD USE ONLY.

### CT22QD

#### Premium Electric Power Brush

This power brush is used to vacuum carpets. It has a 14" edge to edge brushed head to create a wider cleaning path. It is to be used with the integrated telescopic wand.



#### Features include:

- **Quietdrive™** - Multi-grooved reinforced belt for continuous contact and efficient transfer of power to the brush.
- **Quick Wand Release** - For an easy switch from carpet to hard floor, edge cleaning or above floor cleaning.
- **4 Level Height Adjustment** - Adjusts to match surface being cleaned.
- **Soft Bumper** - Wraps around brush to protect baseboards and furniture.
- **Headlight** - For lighting your cleaning path.
- **Active Brush Edge Cleaner** - Guide either side of the brush along base boards or next to furniture to help remove dirt trapped at carpet edges.

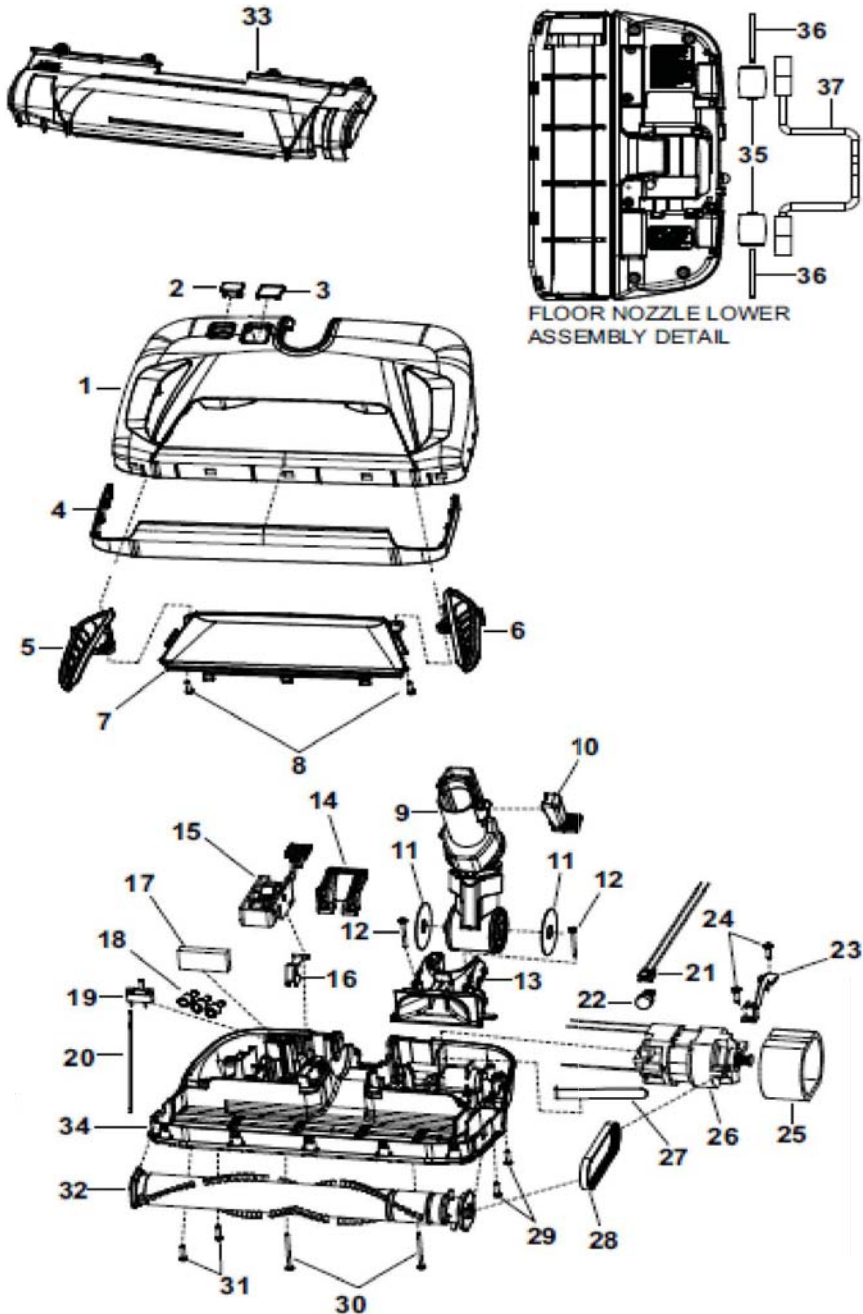
- 1) Unplug and disconnect power before servicing.
- 2) Always turn off this appliance before connecting or disconnecting either hose or motorized nozzle.
- 3) Do not pick up anything that is burning or smoking, such as cigarettes, matches or hot ashes.
- 4) Use only as described in this manual. Use only manufacturers recommended attachments.
- 5) Do not unplug by pulling on cord. To unplug, grasp the plug, not the cord.
- 6) Do not handle system of appliances with wet hands.
- 7) Turn off all controls before unplugging.
- 8) Do not use with damaged cord or plug. If appliance is not working as it should, has been dropped, damaged, left outdoors, or dropped into water, return it to distributor.
- 9) Do not allow to be used as a toy. Close attention is necessary when used by or near small children.
- 10) The hose contains electrical wires. Do not use if damaged, cut or punctured. Avoid picking up sharp objects.
- 11) Do not put any object into openings.
- 12) Do not use with any opening blocked; keep free of dust, lint, hair, and anything that may reduce air flow.
- 13) Keep hair, loose clothing, fingers, and all parts of the body away from openings and moving parts.
- 14) Do not leave vacuum or brush when plugged in. Unplug from outlet when not in use and before servicing.
- 15) Do not pick up flammable or combustible liquids such as gasoline or use it in areas where they may be present.
- 16) Use extra care when cleaning on stairs.

## Cen-Tec CT23QD Electric Brush Parts Explosion

CENTEC Part #	Object Description
1	38672 FLOOR NOZZLE UPPER
2	38683 BUTTON (EXTENSION) (DECO)
3	38694 WINDOW COVER (HEIGHT ADJ.)
4	38705 FURNITURE GUARD
5	38716 VALVE B (SUCTION CONTROL -N.B.S.)
6	38727 VALVE A (SUCTION CONTROL B.S.)
7	38738 FLOOR NOZZLE COVER (W/ LENS) (DECO)
8	56306 SERVICE, SCREW
9	38749 CONNECTION PIPE ASSEMBLY (NOZZLE) PC
10	38760 FOOTPEDAL Q.R.
11	40383 SWIVEL SEAL (2)
12	37308 SERVICE, SCREW, PAN HD #8 - 18 X 35MM (CENTEC)
13	38771 SWIVEL CAP
14	38782 PEDAL / HANDLE RELEASE
15	40933 INDICATOR BLOCK ASSY
16	40625 LIFTER
17	38793 FILTER - INTAKE/EXHAUST
18	38804 WIRE CONNECTOR
19	38815 OVERLOAD PROTECTOR (KUOYUH 2.5)
20	41120 LEAD WIRE UNIT
21	37330 SERVICE, BULB SOCKET (CENTEC)
22	37341 SERVICE, BULB LIGHT (CENTEC)
23	40317 MOTOR BRIDGE
24	40944 SERVICE, SCREW #8 - 18 X 5/8 (CENTEC)
25	56058 MOTOR GASKET
26	37319 SERVICE, MOTOR ASSEMBLY (CENTEC)
27	40284 SERVICE, MOTOR ADJUSTMENT SPRING (CENTEC)
28	40999 BELT
30	38826 SCR THRCUT PAN 8 - 18 X 1 7/8
32	38837 AGITATOR UNIT
33	38848 BRUSH COVER
34	38859 FLOOR NOZZLE LOWER
35	37176 SERVICE, NOZZLE ROLLER (CENTEC)
36	37187 SERVICE, ROLLER SHAFT (CENTEC)
37	40427 FRONT AXLE ASSY

# Cen-Tec CT23QD

## Electric Brush Parts Explosion



## Vacuuming tips

### Suggested Sweeping Pattern

For best cleaning action, the powerhead should be pushed straight away from you and pulled straight back. At the end of each pull stroke, the direction of the powerhead should be changed to point into the next section to be cleaned. This pattern should be continued across the carpet or floor with slow, gliding motions.



**NOTE:** Fast random strokes do not provide complete cleaning.

### CAUTION

Product Damage Hazard

Use care if the powerhead and wand are left in the upright position as they may tip over easily. Property damage can occur if tipped.

### WARNING

Personal Injury and Product Damage Hazard

- DO NOT run over power cord with the powerhead. Personal injury or product damage could result.
- DO NOT pull plug from wall by the power cord. If there is damage to the cord or plug, personal injury or property damage could result.

### Powerhead Steering

The nozzle swivel rotates left and right for improved maneuvering in tight spaces and around corners.



### Wand Upright Locked Position

When the wand is returned to the upright position, the wand rotation lock holds the wand in place. This prevents rotation of wand and hose handle for better stability.



### Under Furniture

To maximize the reach of the powerhead under furniture, turn the handle to either side and lower the wand close to the floor.

### Belt Reset

The powerhead has built-in protection against motor and belt damage should the agitator jam. If the agitator slows down or stops, the belt reset shuts off the powerhead and the red belt reset light will turn on.

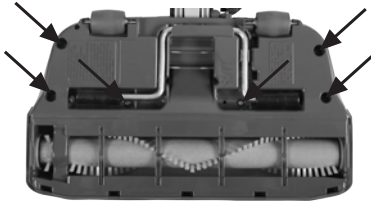


To correct problem: Turn off and unplug the powerhead, remove obstruction, then press belt reset button. If the problem persists, have the powerhead serviced by a Sears or other qualified service agent.

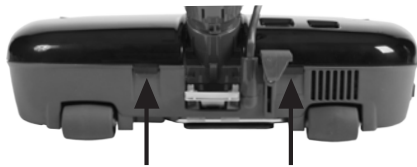
## Belt & Agitator Changing/Replacement

### To Replace Agitator

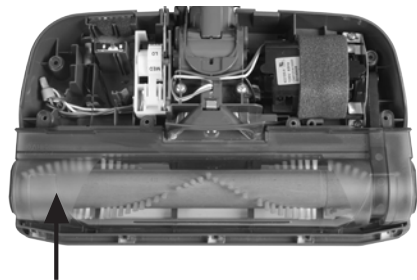
1) Turn the nozzle upside down and unscrew the screws located below.



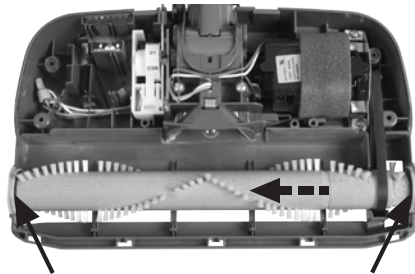
2) Locate and pull the tabs shown below on the back of the nozzle.



4) Remove the clear plastic covering over the agitator.

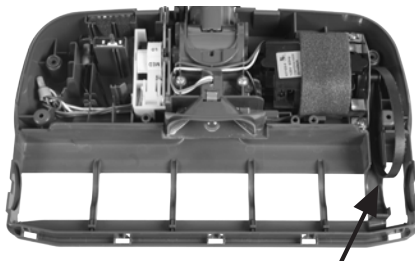


5) Lift both sides of the agitator out of the holding slots and pull it through the belt loop.



### To Replace Belt

After removing the agitator you can remove the belt from the motor.



## Agitator Cleaning

### To Replace Light Bulb

After taking off the black top casing locate the light bulb and pull it out, then simply push the new bulb in.



### To Clean Agitator

**NOTE:** In order to keep cleaning efficiency high and to prevent damage to your powerhead, the agitator must be cleaned every time the belt is changed. The agitator must also be cleaned according to the following schedule.

<u>Vacuum Cleaner Use</u>	<u>Clean Agitator</u>
<b>HEAVY</b> - (Used daily)	every week
<b>MODERATE</b> - (Used 2-3 times/week)	every month
<b>LIGHT</b> - (Used 1 time/week)	every 2 months

### IMPORTANT

Disconnect powerhead from electrical outlet. Check and remove hair, string and lint build-up frequently in the powerhead agitator and end cap areas. Remove any dirt or debris in the belt path area or in the brush roller area. Carefully remove string or debris located on the agitator or end caps.

