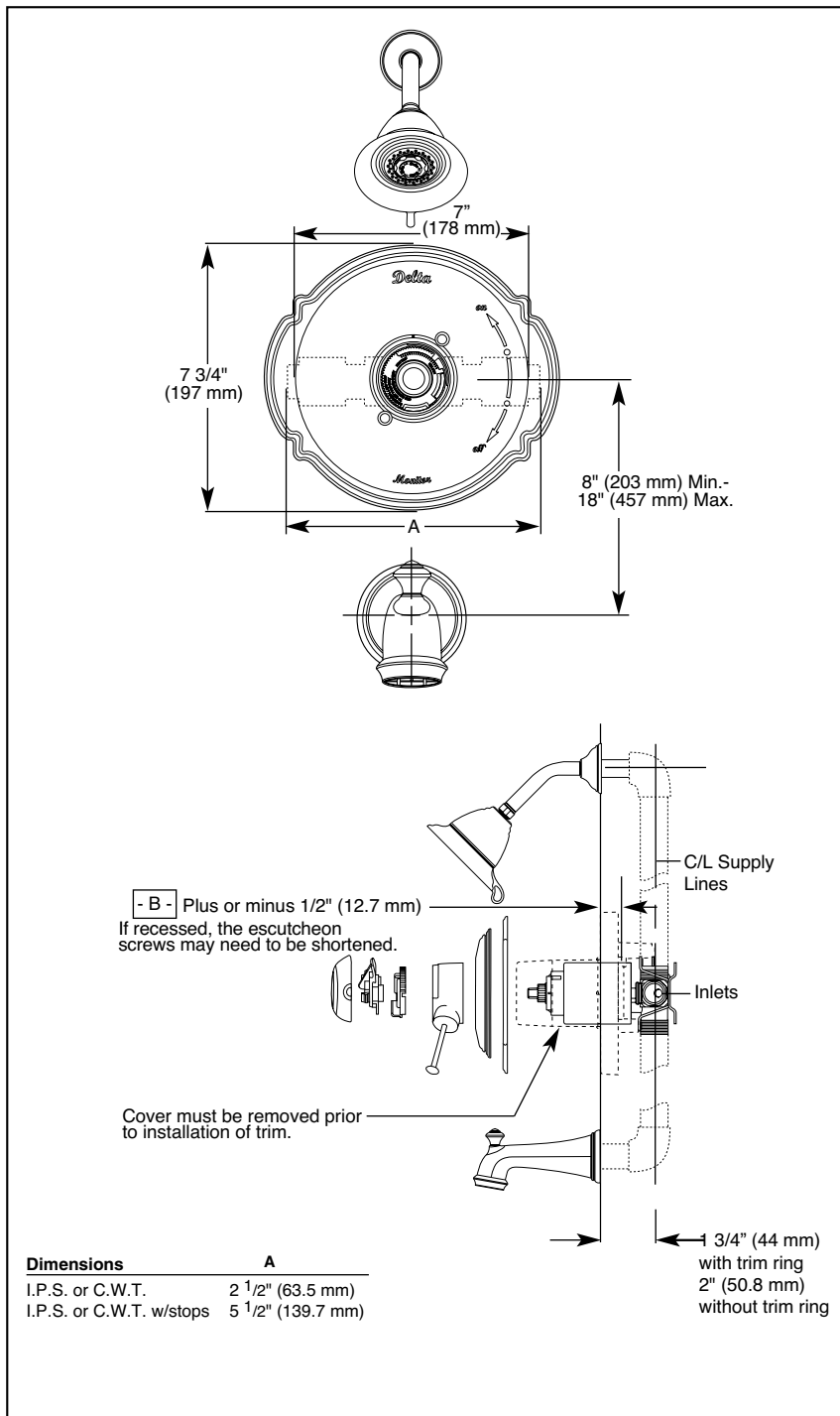


Submitted Model No.: _____

Specific Features: _____



DELTA[®]

BATH MIXING VALVES

- Victorian™ Collection
- Shower Only (1725)
- Tub/Shower (1755)
- Single Handle
- Monitor® with Scald-Guard® Valve
- Pressure Balance
- Volume Controlled with Less Handle Accent
- Temperature Controlled with Dial
- Decor Trim Plate
- Universal Fittings

Water-Efficient
Watersense Certified

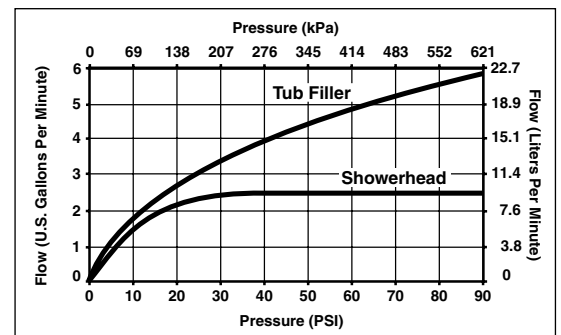
COMPLIES WITH:

- ASME A112.18.1 / CSA B125.1

Indicates compliance to ICC/ANSI A117.1 - valve control only

STANDARD SPECIFICATIONS:

- Requires 1 1/2" (38 mm) wall cavity.
- Back-to-back installation capability.
- Solid brass fabricated body.
- Monitor® with Scald-Guard® valve. Maintains a balanced pressure of hot and cold water even when a valve is turned on or off elsewhere in the system.
- Lever volume control handle; temperature adjustment dial.
- Field adjustable to limit dial rotation into hot water zone.
- Maximum dial rotation adjustable between 90° and 180°.
- Red and Blue graphics indicate hot/cold temperature adjustment.



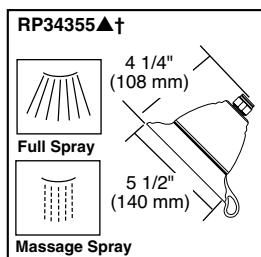
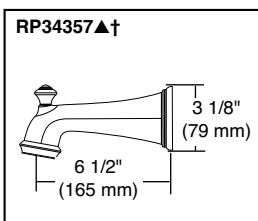
Standard Features	1725-LHP	1725-WSLHP	1725-C8LHP	1725-PBLHP	1725-NNLHP	1725-NPLHP	1725-RBLHP	1755-LHP	1755-WSLHP	1755-C8LHP	1755-PBLHP	1755-NNLHP	1755-NPLHP	1755-RBLHP
Washerless	◆	◆	◆	◆	◆	◆	◆	◆	◆	◆	◆	◆	◆	◆
Scald-Guard® Valve	◆	◆	◆	◆	◆	◆	◆	◆	◆	◆	◆	◆	◆	◆
Back-to-Back Installation	◆	◆	◆	◆	◆	◆	◆	◆	◆	◆	◆	◆	◆	◆
Copper with Stops		◆							◆					
1/2" I.P.S. Inlets and Outlets	◆	◆	◆	◆	◆	◆	◆	◆	◆	◆	◆	◆	◆	◆
1/2" C.W.T. Sweat Inlets and Outlets	◆	◆	◆	◆	◆	◆	◆	◆	◆	◆	◆	◆	◆	◆
Replaceable Cartridge	◆	◆	◆	◆	◆	◆	◆	◆	◆	◆	◆	◆	◆	◆
Adjustment Rotational Limit Stop	◆	◆	◆	◆	◆	◆	◆	◆	◆	◆	◆	◆	◆	◆
Matching Finish Temperature Adjustment Dial	◆	◆	◆	◆	◆	◆	◆	◆	◆	◆	◆	◆	◆	◆
Less Handle Program-Volume Control Handle-See Lever Handle Accents	♿	♿	♿	♿	♿	♿	♿	♿	♿	♿	♿	♿	♿	♿
Metal Shower Arm and Flange	◆	◆	◆	◆	◆	◆	◆	◆	◆	◆	◆	◆	◆	◆
Non-Metallic Dual Spray Touch-Clean® Showerhead/2 Spray Patterns	◆	◆	◆	◆	◆	◆	◆	◆	◆	◆	◆	◆	◆	◆
Tub Filler w/Pull-Up Diverter								◆	◆	◆	◆	◆	◆	◆
Screwdriver Stops		◆							◆					
Chrome Finish	◆	◆						◆	◆					
Chrome and Brilliance® Polished Brass Finish			◆							◆				
Brilliance® Polished Brass Finish				◆							◆			
Brilliance® Pearl Nickel Finish					◆							◆		
Brilliance® Pearl Nickel and Brilliance® Polished Brass Finish						◆							◆	
Venetian Bronze™ Finish							◆							◆
Deco Trim Ring	◆	◆	◆	◆	◆	◆	◆	◆	◆	◆	◆	◆	◆	◆

Available Options for Field Conversion:

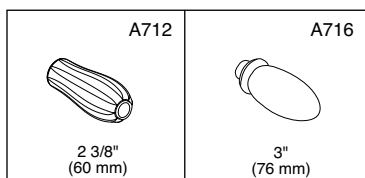
- Screwdriver Stops. Order two RP5876s for IPS or two RP6005s for C.W.T.
- Shower Arm. Order RP6023▲.
- Shower Flange. Order RP34356▲.
- Non-metallic Push-Clean™ showerhead/1 spray pattern. Order RP28599▲.
- Non-metallic Touch-Clean® showerhead/1 spray pattern. Order RP28600▲.
- Non-metallic Dual Spray Touch-Clean® showerhead/2 spray patterns. Order RP28601▲.
- Non-metallic Ultimate Touch-Clean® showerhead/3 spray patterns. Order RP28602▲.
- Brass shower arm diverter for hand shower. Order RP4239 (chrome only).
- Personal hand shower with 24" vertical bar, 60" hose. Order RP7245 (chrome only).
- Personal hand shower with 24" vertical bar, 60" hose, vacuum breaker and wall supply elbow. Order RPW111HDF (chrome only).
- Personal handshower with 60" hose, vacuum breaker and wall supply elbow. Order RPW222HDF (chrome only).
- Metallic tub filler with pull-down diverter for 1/2" C.W.T. or 1/2" I.P.S. Order RP17454▲.
- Non-metallic tub filler with pull-down diverter for 1/2" C.W.T. or 1/2" I.P.S. Order RP17453 (chrome only).
- Non-metallic slip-on tub filler with pull-down diverter for 1/2" C.W.T. Order RP5836 (chrome only).
- Metallic slip-on tub filler with pull-down diverter for 1/2" C.W.T. Order RP19581PB (Brilliance™ polished brass only).
- Metallic tub filler with pull-up diverter for 1/2" C.W.T. or 1/2" I.P.S. Order RP7533▲.
- Non-metallic tub filler with pull-up diverter for 1/2" C.W.T. or 1/2" I.P.S. Order RP5834(chrome only).
- Non-metallic slip-on tub filler with pull-up diverter for 1/2" C.W.T. Order RP19820 (chrome only).
- Metallic over-the-rim tub filler for 1/2" I.P.S. Order RP5833▲.
- Metallic over-the-rim slip-on tub filler for 1/2" C.W.T. Order RP5835 (chrome only).
- Bath waste assemblies and bath accessories also available separately.

▲ = Specify Finish

† = Designates the accent color on split finish models.



*** Handle Accents**



DELTA FAUCET COMPANY

Indianapolis, Indiana 46280
A Division of Masco Corporation of Indiana
© 2001 Masco Corporation of Indiana