

**DELTA**

# KITCHEN FAUCETS

- Single Handle
- Victorian™ Series
- Widespread
- 3 and 4 Hole Sink Applications
- Quick Snap® Hose Installation

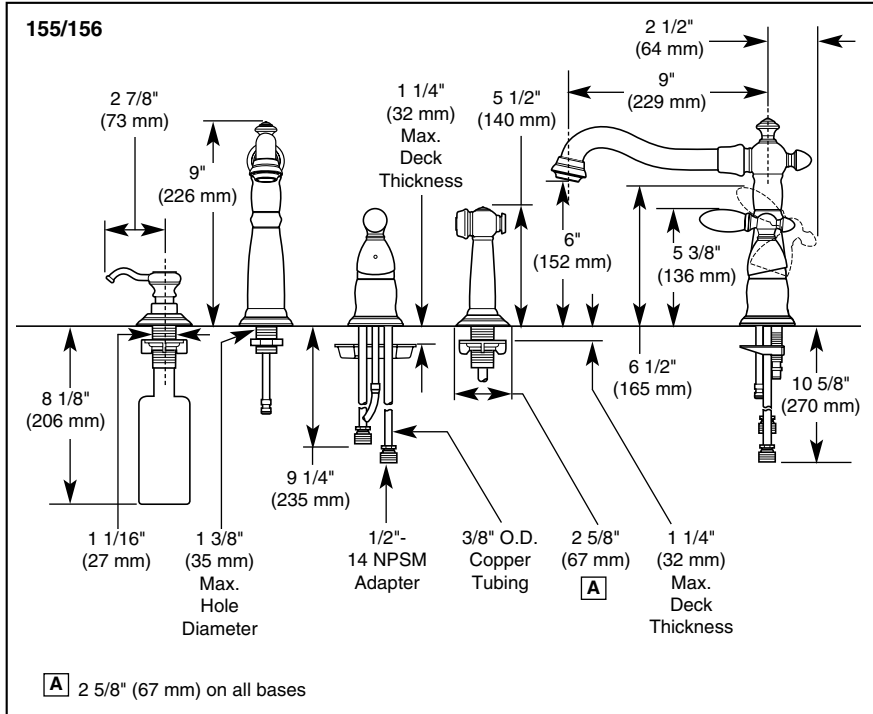
Submitted Model No.: \_\_\_\_\_

Specific Features: \_\_\_\_\_



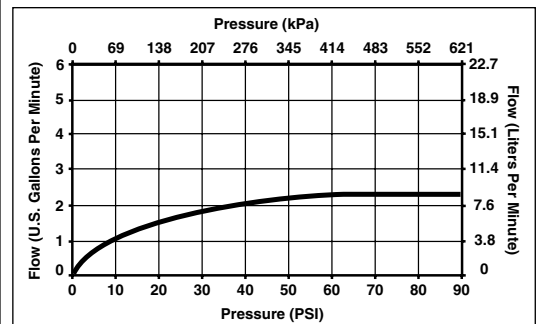
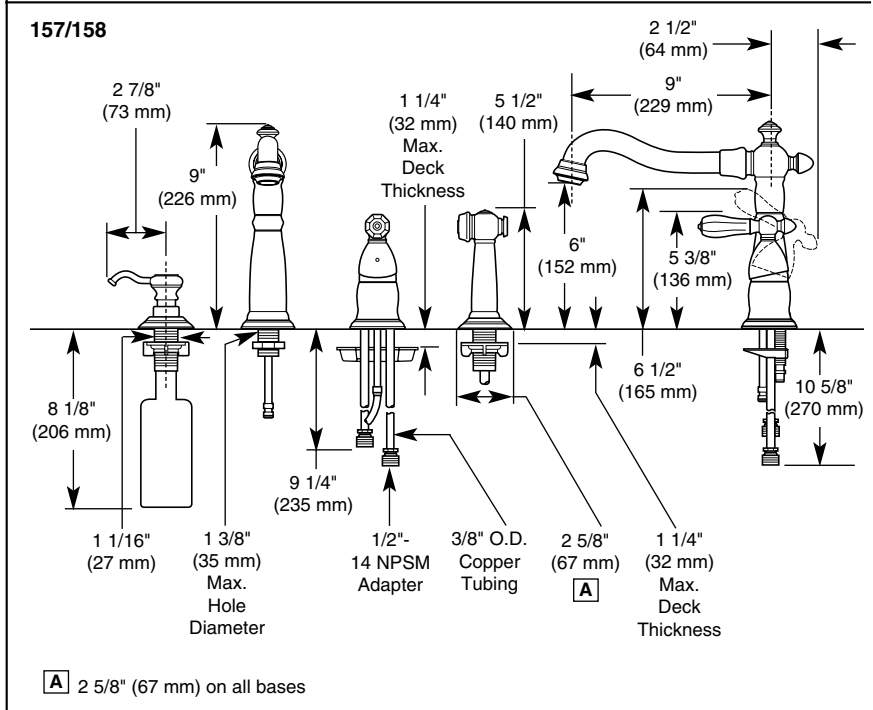
**COMPLIES WITH:**

- NSF 61
- ASME A112.18.1
- CSA B125
- Indicates ADA compliance to ICC/ANSI A117.1
- IAPMO Listed
- CSA Certified



**STANDARD SPECIFICATIONS:**

- Single handle kitchen faucets for exposed mounting on three and four hole sinks.
- Solid brass fabricated body.
- 9" (229 mm) long, 9" (229 mm) overall height, 6" (152 mm) outlet height, spout swings 360°.
- Lever handle. Control mechanism shall be of the rotating stainless steel ball type with replaceable non-metallic seats operating in stainless steel lined sockets.
- Control handle shall return to neutral position when valve is turned off.
- Spray attachment has anti-siphon device as integral part of valve body.
- Quick Snap® hose installation.
- Standard mounting deck thickness 1 1/4" can be extended 1" with RP37776 thick tile mounting kit.



Delta reserves the right (1) to make changes in specifications and materials, and (2) to change or discontinue models, both without notice or obligation. Dimensions are for reference only.

<b>Standard Features</b>	<b>155-CBWF</b>	<b>155-RBWF</b>	<b>155-SSWF</b>	<b>155-WF</b>	<b>156-CBWF</b>	<b>156-RBWF</b>	<b>156-SSWF</b>	<b>156-WF</b>	<b>157-SSWF</b>	<b>157-WF</b>	<b>158-SSWF</b>	<b>158-WF</b>
Washerless	◆	◆	◆	◆	◆	◆	◆	◆	◆	◆	◆	◆
Widespread	◆	◆	◆	◆	◆	◆	◆	◆	◆	◆	◆	◆
Three Hole Installation	◆	◆	◆	◆					◆	◆		
Four Hole Installation					◆	◆	◆	◆			◆	◆
Metal Lever Handle	◆	◆	◆	◆	◆	◆	◆	◆				
Porcelain Lever Handle									◆	◆	◆	◆
9" (229 mm) Long, 9" (229 mm) Overall Height, 6" (152 mm) Outlet Height, Spout Swings 360°	◆	◆	◆	◆	◆	◆	◆	◆	◆	◆	◆	◆
3/8" O.D. Straight, Staggered Copper Tube Inlets - 9 1/4" (235 mm) and 10 5/8" (270 mm) Long with 1/2" - 14 NPSM Adapters	◆	◆	◆	◆	◆	◆	◆	◆	◆	◆	◆	◆
45" (1143 mm) Hose and Spray Assembly	◆	◆	◆	◆	◆	◆	◆	◆	◆	◆	◆	◆
Sprayhead Matches Finish	◆	◆	◆	◆	◆	◆	◆	◆	◆	◆	◆	◆
Soap/Lotion Dispenser					◆	◆	◆	◆			◆	◆
Chrome Finish				◆				◆		◆		◆
Chrome & <i>Brilliance</i> ® Polished Brass Finish	◆				◆							
<i>Brilliance</i> ® Stainless Finish			◆				◆		◆		◆	
Venetian Bronze™ Finish		◆				◆						



Indianapolis, Indiana 46280  
A Division of Masco Corporation of Indiana  
© 2001 Masco Corporation of Indiana



A 112.18.1M  
0.5 GPM 1.9L/min