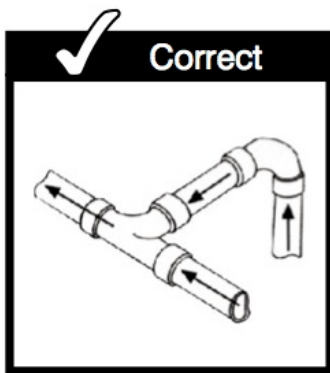
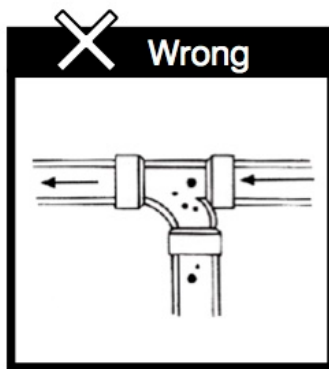


# Central Vacuum

The central vacuum system gains a point in LEED for keeping the air cleaner in the home. A central vacuum does not leave dust in the air from the process of sucking dirt into an exposed container. The container is remote and will be vented to the outside, instead of just the garage.

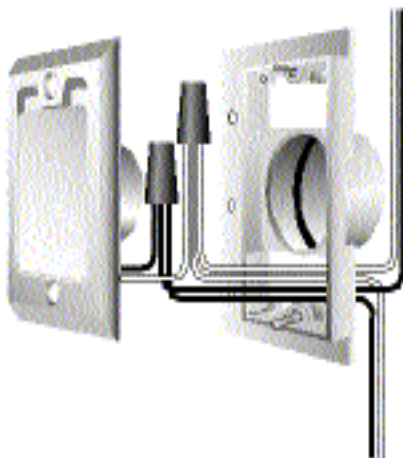


Dirt should flow from the side or top of PVC ducting.



Gravity can cause dirt to fall down the wrong line.

The vacuum is a model made by Can-Vac, one



of the most recommended and expensive brands. I read several install manuals and the hardest part was figuring out how to get the piping across the house. It runs through the ventilation shaft and in the crawl space. There are four outlets in the house for connecting the hoses and power head.