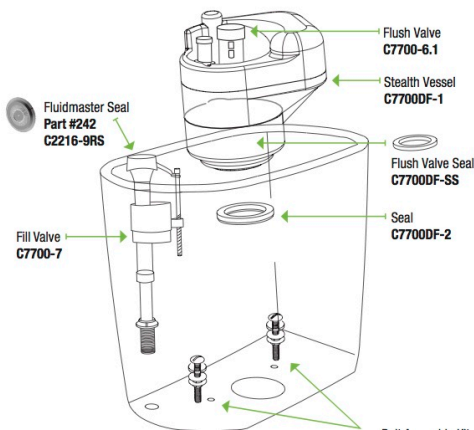


Low Flow Toilets Water Sense Fixtures



The Stealth dual flush toilet uses 0.5/0.95 gallons per flush. It is a vacuum assist toilet made by Niagara. We have installed these in all three bathrooms.

This company also makes ultra low flow showerheads.

All of the faucets are better than minimum Water Sense standards. They meet the LEED very high efficiency plumbing fixture standards: all toilets average less than 1.1 gallons per flush, all faucets less than 1.5 gallons per minute, all showerheads less than 1.75 gallons per minute.

